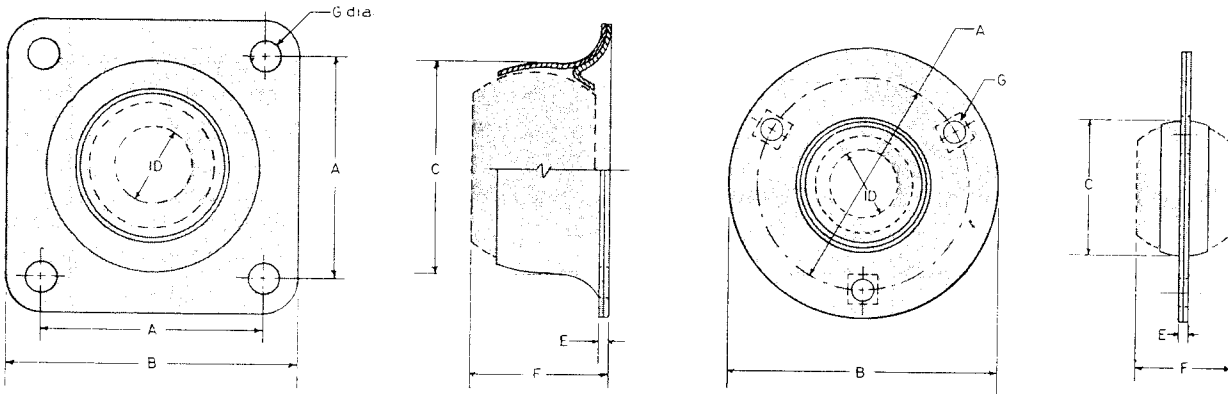


4-BOLT SIDE FLANGE MOUNTED BEARINGS

PART NO.	A	B	C	E	F	G	SPHERE OD	ID RANGE
FDW-††	1 ¹³ / ₁₆	2 ⁷ / ₁₆	1 ¹³ / ₁₆	1/8	1 ¹³ / ₃₂	1 ⁷ / ₆₄	1 ¹¹ / ₁₆	1/2 to 1
FEW-††	2 ⁷ / ₁₆	3	2 ⁵ / ₃₂	9/64	1 ⁹ / ₁₆	1 ³ / ₃₂	2	3/4 to 1 1/4
FFW-††	2 ³ / ₄	3 ³ / ₈	2 ¹¹ / ₁₆	1 ¹ / ₆₄	1 ¹³ / ₁₆	1 ³ / ₃₂	2 1/2	1 to 1 3/4



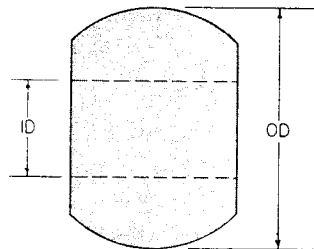
CENTER FLANGE MOUNTED BEARINGS

PART NO.	A	B	C	E	F	G	SPHERE OD	ID RANGE
CKW-††	1 1/4	2 3/8	1 1/8	1/8	1/2	1 ⁷ / ₆₄ Rd. *	1	1/4 to 3/8
CBW-††	2 3/4	3 1/2	1 ³ / ₁₆	1/8	1 1/4	9/32 Rd.	1 ¹¹ / ₁₆	1/2 to 1
EEW-††	3	3 3/4	2 ³ / ₁₆	5/32	1 1/2	1 ¹ / ₃₂ Sq.	2	3/4 to 1 1/4
EFW-††	3 7/16	4 ⁷ / ₁₆	2 ¹¹ / ₁₆	5/32	1 3/4	1 ³ / ₃₂ Sq.	2 1/2	1 to 1 3/4

REPLACEMENT BEARINGS

SOLID SPHERICAL BEARING

PART NO.	ID RANGE	SPHERE OD
WA16-††	1/4 to 3/8	1
WA27-††	1/2 to 1	1 ¹¹ / ₁₆
WA32-††	3/4 to 1 1/4	2
WA40-††	1 to 1 3/4	2 1/2
WA40m-††	1/2 to 3/8	40mm (1.575")
WA47m-††	3/4 to 1	47mm (1.850")
WA52m-††	1 ¹ / ₁₆ to 1 1/8	52mm (2.047")
WA62m-††	1 1/16 to 1 1/2	62mm (2.441")
WA72m-††	1 1/4 to 2	72mm (2.835")
WA80m-††	1 1/2 to 1 7/8	80mm (3.150")
WA85m-††	1 3/8 to 2	85mm (3.346")
WA90m-††	1 11/16 to 2 1/4	90mm (3.543")
WA100-††	2 to 2 1/2	100mm (3.937")



† Specify shaft diameter expressed in 16th's.
(ex: 1/2 = 8, 3/4 = 12 etc.)

‡ Add "M" to part number if application is wet or moist.

SPLIT SPHERICAL BEARINGS

PART NO.	ID RANGE	SPHERE OD
WAS16-††	1/4 to 3/8	1
WAS27-††	1/2 to 1	1 ¹¹ / ₁₆
WAS32-††	3/4 to 1 1/4	2
WAS40-††	1 to 1 3/4	2 1/2
WAS40m-††	1/2 to 3/8	40mm (1.575")
WAS47m-††	3/4 to 1	47mm (1.850")
WAS52m-††	1 ¹ / ₁₆ to 1 1/8	52mm (2.047")
WAS62m-††	1 1/16 to 1 1/2	62mm (2.441")
WAS72m-††	1 1/4 to 2	72mm (2.835")
WAS80m-††	1 1/2 to 1 7/8	80mm (3.150")
WAS85m-††	1 3/8 to 2	85mm (3.346")
WAS90m-††	1 11/16 to 2 1/4	90mm (3.543")
WAS100-††	2 to 2 1/2	100mm (3.937")



WOODEX

CALL (800) 526-8800 NATIONWIDE. (207) 371-2210 IN MAINE.