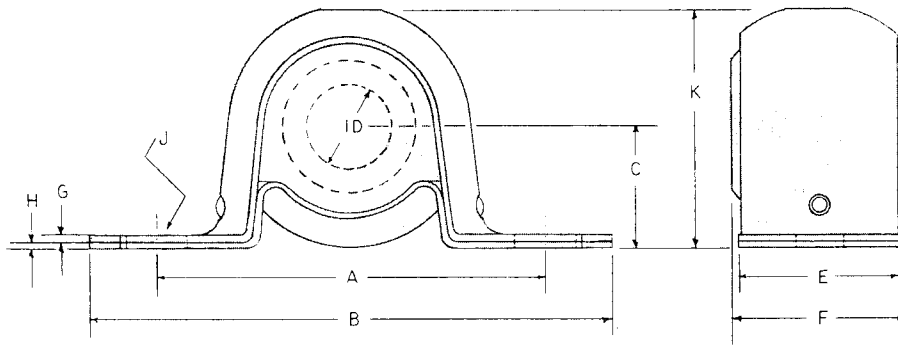


WOODEX DATA SHEET 103

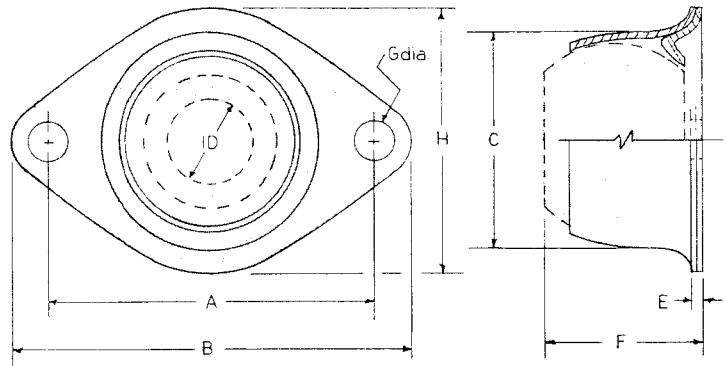
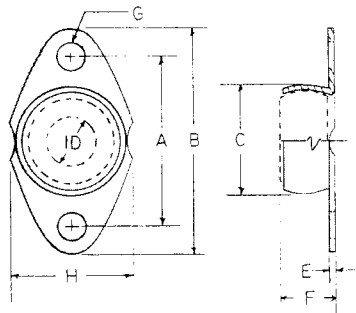


† Specify shaft diameter expressed in 16th's. (ex: $\frac{1}{2}$ = 8, $\frac{3}{4}$ = 12, etc.)

‡ Add "M" to part number if application is wet or moist.

PILLOW BLOCK MOUNTED SPHERICAL BEARINGS

PART NO.	MOUNT WEIGHT	A	B	C	E	F	G	H	J (slot)	K	SPHERE OD	ID RANGE
BDW-††	Miniature	$1\frac{3}{4}$	$2\frac{5}{16}$	$\frac{9}{16}$	$\frac{7}{16}$	$\frac{1}{2}$	$\frac{1}{16}$	$\frac{1}{16}$	$1\frac{7}{64} \times \frac{5}{16}$	$1\frac{1}{8}$	1	$\frac{1}{4}$ to $\frac{5}{8}$
BBW-††	Standard	$2\frac{7}{8}$	$3\frac{15}{16}$	$\frac{29}{32}$	$1\frac{1}{8}$	$1\frac{1}{4}$	$\frac{1}{16}$	$\frac{1}{16}$	$2\frac{11}{64} \times 2\frac{11}{32}$	$1\frac{3}{4}$	$1\frac{11}{16}$	$\frac{1}{2}$ to 1
BCW-††	Standard	$3\frac{3}{4}$	$4\frac{7}{8}$	$1\frac{1}{8}$	$1\frac{5}{16}$	$1\frac{1}{2}$	$\frac{1}{16}$	$\frac{1}{16}$	$2\frac{5}{64} \times \frac{5}{8}$	$2\frac{1}{8}$	2	$\frac{3}{4}$ to $1\frac{1}{4}$
BEW-††	Heavy	$2\frac{31}{32}$	$4\frac{1}{32}$	$\frac{15}{16}$	$1\frac{1}{8}$	$1\frac{1}{4}$	$\frac{3}{32}$	$\frac{3}{32}$	$2\frac{11}{64} \times 2\frac{11}{32}$	$1\frac{13}{16}$	$1\frac{11}{16}$	$\frac{1}{2}$ to 1
BFW-††	Heavy	$3\frac{21}{64}$	$4\frac{7}{8}$	$1\frac{3}{32}$	$1\frac{5}{16}$	$1\frac{1}{2}$	$\frac{3}{32}$	$\frac{3}{32}$	$2\frac{5}{64} \times 1\frac{19}{32}$	$2\frac{1}{8}$	2	$\frac{3}{4}$ to $1\frac{1}{4}$
BKW-††	Extra Heavy	$3\frac{3}{8}$	$5\frac{7}{16}$	$1\frac{11}{32}$	$1\frac{7}{16}$	$1\frac{3}{4}$	$\frac{1}{8}$	$\frac{3}{32}$	$2\frac{5}{64} \times 2\frac{5}{32}$	$2\frac{11}{16}$	$2\frac{1}{2}$	1 to $1\frac{3}{4}$



2-BOLT SIDE FLANGE MOUNTED BEARINGS

PART NO.	A	B	C	E	F	G	H	SPHERE OD	ID RANGE
FMW-††	$1\frac{3}{4}$	$2\frac{5}{16}$	$1\frac{1}{8}$	$\frac{1}{16}$	$\frac{9}{16}$	$\frac{9}{32}$	$1\frac{1}{8}$	1	$\frac{1}{4}$ to $\frac{5}{8}$
FAW-††	$2\frac{3}{4}$	$3\frac{3}{8}$	$1\frac{13}{16}$	$\frac{1}{8}$	$1\frac{13}{32}$	$2\frac{11}{64}$	$2\frac{7}{16}$	$1\frac{11}{16}$	$\frac{1}{2}$ to 1
FBW-††	$3\frac{3}{32}$	4	$2\frac{5}{32}$	$\frac{9}{64}$	$1\frac{9}{16}$	$1\frac{3}{32}$	$2\frac{3}{4}$	2	$\frac{3}{4}$ to $1\frac{1}{4}$



WOODEX

CALL (800) 526-8800 NATIONWIDE. (207) 371-2210 IN MAINE.