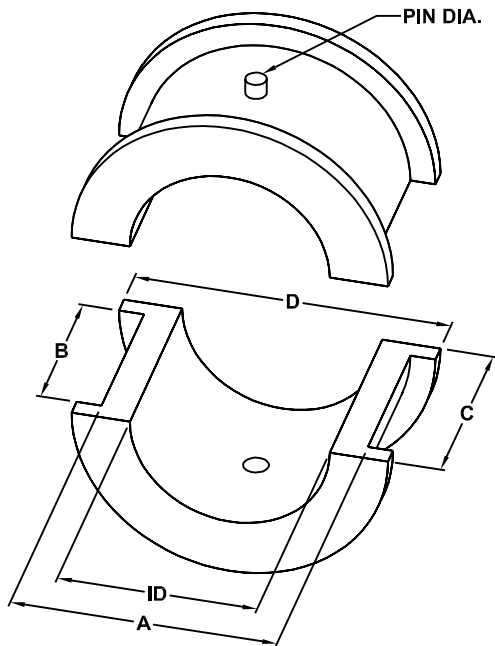


## 220/226 STYLE HANGER BEARING



ID \_\_\_\_\_

A \_\_\_\_\_

B \_\_\_\_\_

C \_\_\_\_\_

D \_\_\_\_\_

PIN DIA. \_\_\_\_\_

SUBMITTED BY: \_\_\_\_\_

COMPANY: \_\_\_\_\_

PHONE #: \_\_\_\_\_

SHOP ORDER #: \_\_\_\_\_

QUANTITY: \_\_\_\_\_

WOODEX PART #: \_\_\_\_\_

**WOODEX**

BEARING COMPANY, INC.

216 BAY POINT ROAD, GEORGETOWN, MAINE 04548-3509 USA

(800) 526-8800 Nationwide; 1 (207) 371-2210 Outside USA

FAX: 1 (207) 371-2169 e-mail: sales@woodex-meco.com

<http://www.woodexbearing.com>