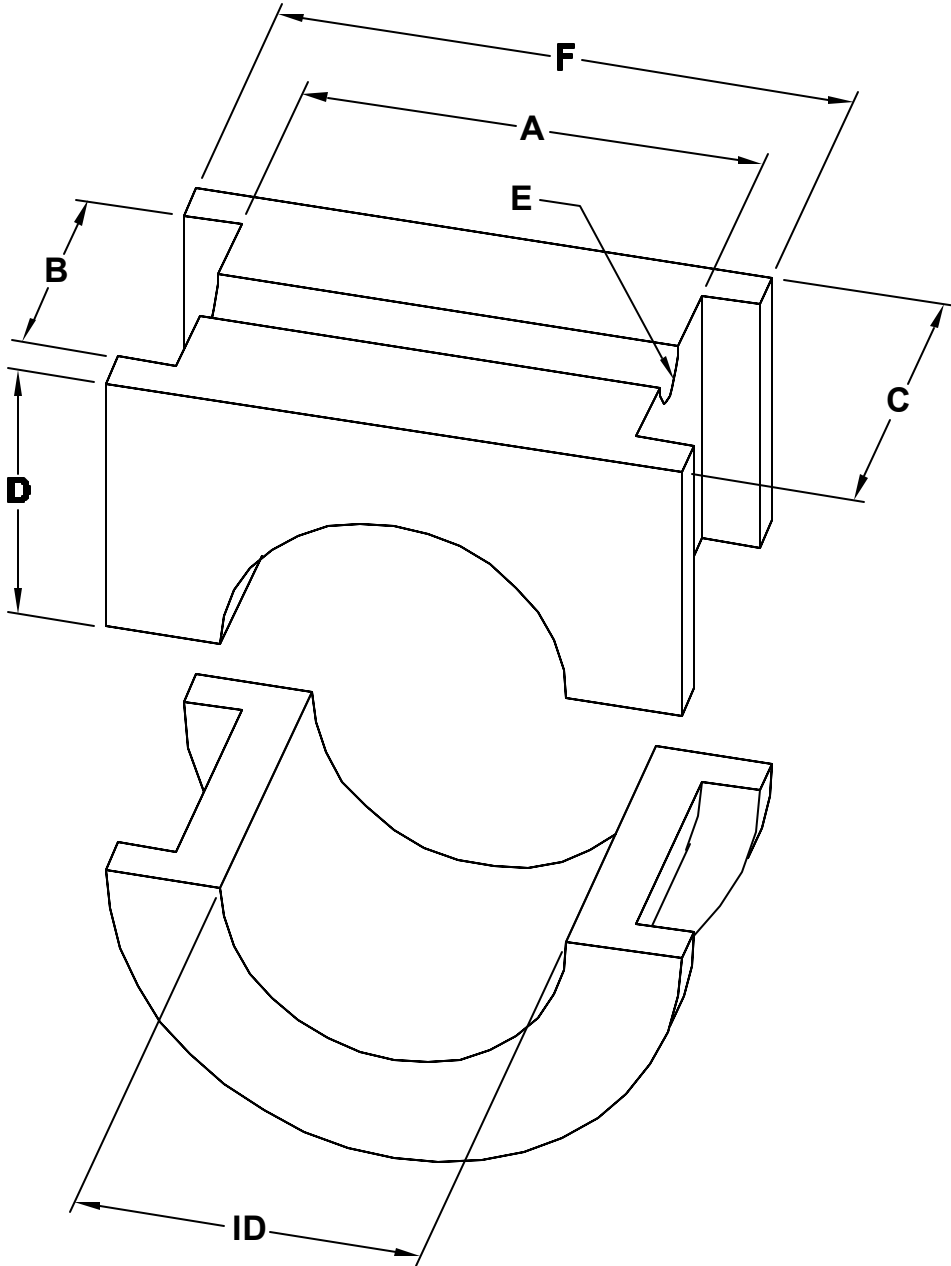


216/230 STYLE HANGER BEARING



ID _____
 A _____
 B _____
 C _____
 D _____
 E (Dia.) _____
 F _____

SUBMITTED BY: _____

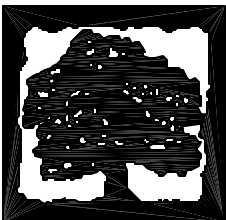
COMPANY: _____

PHONE #: _____

SHOP ORDER #: _____

QUANTITY: _____

WOODEX PART #: _____



WOODEX

BEARING COMPANY, INC.

216 BAY POINT ROAD, GEORGETOWN, MAINE 04548-3509 USA

(800) 526-8800 Nationwide; 1 (207) 371-2210 Outside USA

FAX: 1 (207) 371-2169 e-mail: sales@woodex-meco.com

<http://www.woodexbearing.com>

216-230V2.DWG
REV. 02